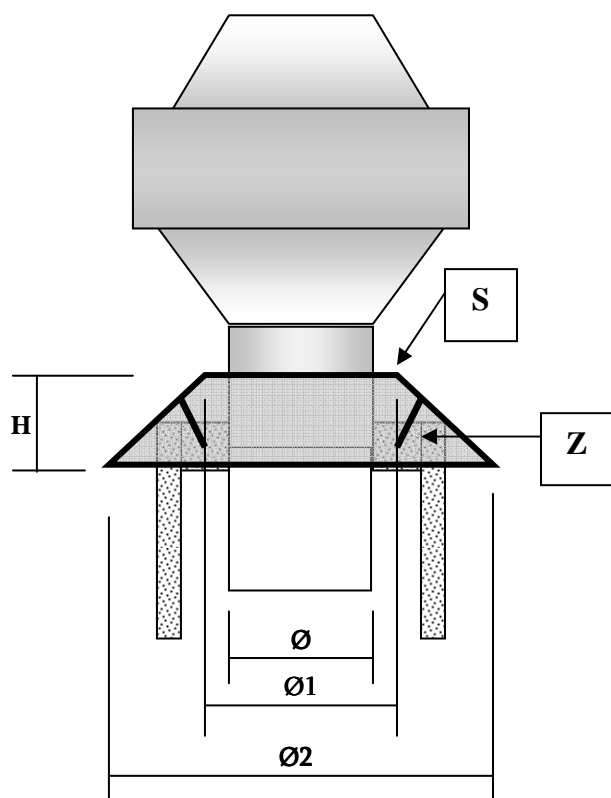


CONIC COVERING (INOX – COPPER)

OUTLINE APPLICATION FOR CONNECTION TO CHIMNEY



INSTRUCTIONS FOR THE INSTALLATION OF FLASHING

The flashing is equipped with 3 Z brackets welded on the bottom. The clamps are useful to anchor the flashing cone to set up cement mortar in the chimney. Followed by blotting with high temperature silicone empty space S between the flashing and the chimney. The flashing away water from the masonry chimney to avoid any leakage.

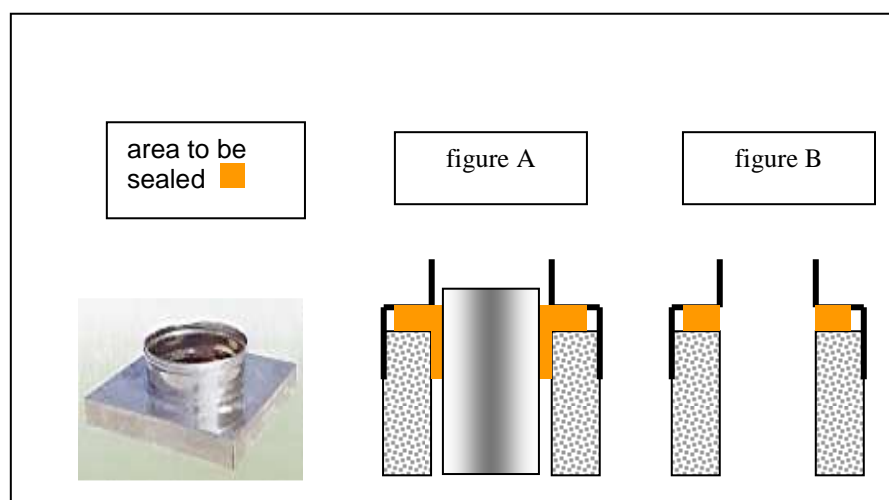
Ø Tubo	D. foro Conic covering	D. est Conic covering	H Conic covering
130	145	385	40
140	165	460	60
150	165	460	60
180	195	460	50
200	215	520	60
230	245	520	50
250	265	640	70
300	315	740	85

INOX AISI 304	CODE conic covering inox
	SCO 130 IN
	SCO 140 IN
	SCO 150 IN
	SCO 180 IN
	SCO 200 IN
	SCO 230 IN
	SCO 250 IN
	SCO 300 IN

RAME	CODE conic covering copper
	SCO 130 RA
	SCO 140 RA
	SCO 150 RA
	SCO 180 RA
	SCO 200 RA
	SCO 230 RA
	SCO 250 RA
	SCO 300 RA

ADAPTER (INOX – COPPER)

OUTLINE APPLICATION TO FLUE ADAPTOR



INSTRUCTIONS FOR THE INSTALLATION OF THE UNION BEFORE INSTALLING BLINDOCOM

The connection must always be secured to the chimney at least four inserts no lock (no one on either side of the connector) in order to ensure the anchor.

To ensure the smooth operation of BLINDOCOM is essential to seal the connection, as shown in Figures A - B depending on the type of application, using high temperature resistant sealant.

The sealing is indispensable in order to prevent BLINDOCOM draw in air from 'outside instead of the chimney, affect the smooth operation.

TABLE FOR THE CHOICE OF THE PROPER FITTING

DIMENSIONS OF THE SIDES FITTING	Ø FITTING THE COLLAR	EXTERNAL DIMENSIONS CHIMNEY	PRESENCE OF THE STEEL PIPE INTERNAL CHIMNEY MASONRY Ø OF TUBE	CODE OF FITTING
270 x 270	150 200 250	250	TUBE < 150 TUBE > 150 < 200 TUBE > 200	SC 99 270 X 270 D
320 x 320	150 200 250	300	TUBE < 150 TUBE > 150 < 200 TUBE > 200 - NO TUBO	SC 99 320 X 320 D
370 x 370	200 230 250 300	350	TUBE > 150 < 200 TUBE = 200 TUBE > 200 < 250 TUBE = 250 - NO TUBE	SC 99 370 X 370 D
420 x 420	250 300	400	TUBE MAX 230 TUBE From 230 To 300	SC 99 420 X 420 D
520 x 520	300	500	TUBE MAX 300 NO TUBE	SC 99 520 X 520 D 300 BLINDOCOM CONCRETE